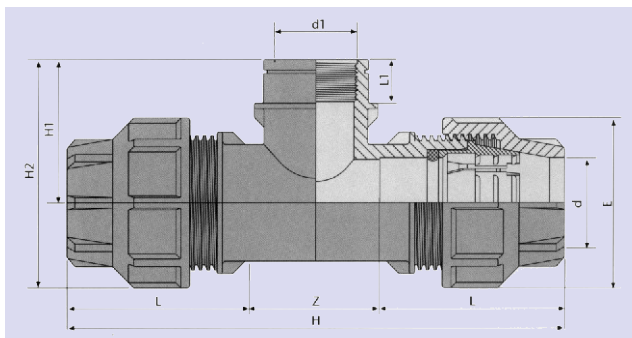


**Тешѝек 90° со навој Ф**

Намена: за механичко спојување со ХД/  
ХП/МД/ЛД Пе цевки во согласност со  
ИСО 4427, ДИН 8074


**Tee female thread 90°**

Execution: for mechanical connection of HD/  
HP/MD/LD PE pipes in compliance with ISO  
4427, DIN 8074



d x d x d	L	Z	H	E	L1	H1	H2	ден/парче den/pc.	€/парче €/pc.
20 x 1/2" x 20	54	24.0	132	46	18	46	70		
20 x 3/4" x 20	54	24.0	132	46	18	46	70		
25 x 1/2" x 25	60	30.0	150	52	16	44	71		
25 x 3/4" x 25	60	30.0	150	52	19	46	73		
25 x 1" x 25	60	30.0	150	52	21	52	79		
32 x 3/4" x 32	72	42.0	186	64	19	58	85		
32 x 1" x 32	72	42.0	186	64	25	58	93		
40 x 1" x 40	75	62.0	212	78	22	72	110		
40 x 1 1/4" x 40	75	62.0	212	78	24	69	113		
40 x 1 1/2" x 40	75	62.0	212	78	24	73	113		
50 x 1 1/4" x 50	96	72.0	264	94	24	79	128		
50 x 1 1/2" x 50	96	72.0	264	94	24	73	131		
50 x 2" x 50	96	72.0	264	94	26	85	134		
63 x 1 1/2" x 63	109	80.0	298	113	26	85	143		
63 x 2" x 63	109	80.0	298	113	28	87	143		
75 x 2" x 75	126	80.0	332	128	30	100	166		
75 x 2 1/2" x 75	126	80.0	332	128	31	100	166		
75 x 3" x 75	126	80.0	332	128	34	100	174		